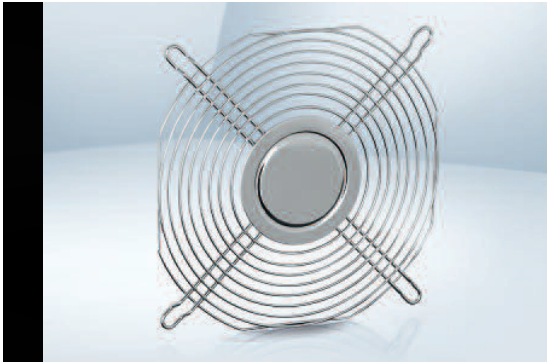


# Guard grilles



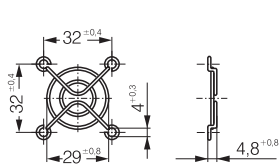
- **Material:** Zinc-plated or nickel-plated steel wire
  - **Note:** Guard grille in line with DIN EN ISO 13857 (previously EN 294). Additional guard grilles that do not meet DIN EN ISO 13857 can be delivered on request.
- Our guard grilles are designed specifically for use with ebm-papst fans. They combine the highest degree of safety with minimum effect on operating noise. Please note that safety-relevant clearances cannot be guaranteed when using guard grilles from other manufacturers.

Fan series	Guard grilles	Fan series	Guard grilles	Fan series	Guard grilles
400	LZ29-1	5100	LZ25	2200 F	LZ22
420 J	LZ29-1	5600	LZ25	DV 4100	LZ30-4 Intake-/Outlet side
500	LZ31	5200	LZ35	DV 5200	LZ35 Intake-/Outlet side
600	LZ28-1	5300	LZ53	DV 6300 TD	LZ37 Intake side
3000	LZ23-1	5900	LZ35	DV 6300 TD	LZ52 Outlet side
8000	LZ32-4 / LZ22-2	7000	LZ36	DV 6400	LZ38 Intake side
9000	LZ30-4 / LZ 30 / LZ 30-3	6300	LZ37	DV 6400	LZ39 Outlet side
4000	LZ30-4 / LZ 30 / LZ 30-3	6400	LZ38		

Subject to alterations

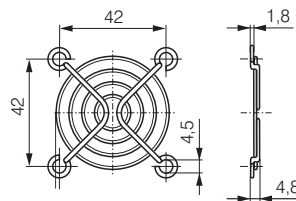
LZ29-1

Fan size 40 x 40



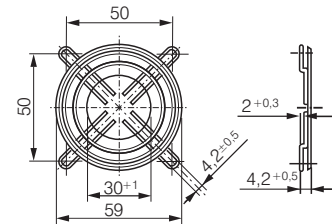
LZ31

Fan size 50 x 50



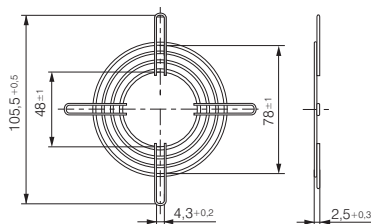
LZ28-1

Fan size 60 x 60



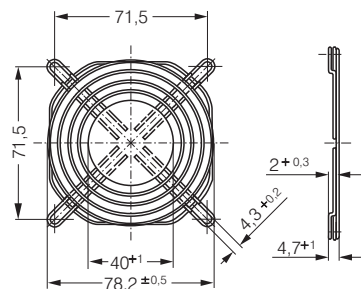
LZ22-2

Fan size 80 x 80



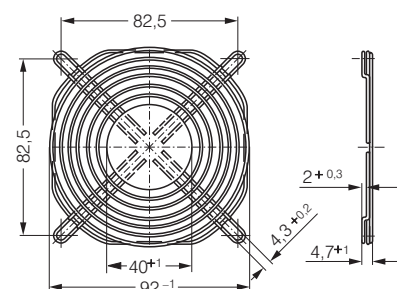
LZ32-4

Fan size 80 x 80

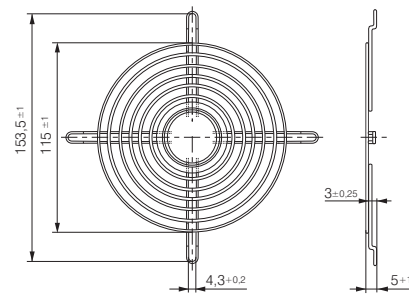


LZ23-1

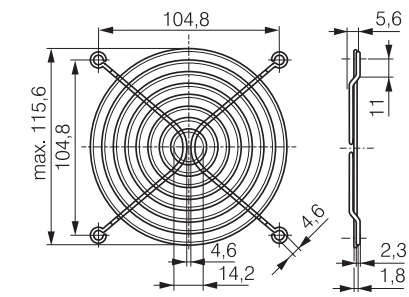
Fan size 92 x 92



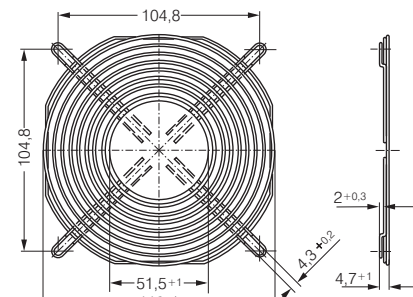
**LZ30** Fan size 119 x 119



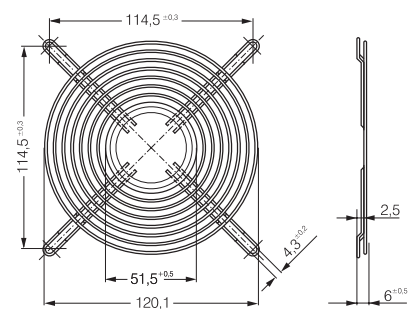
**LZ30-3** Fan size 119 x 119



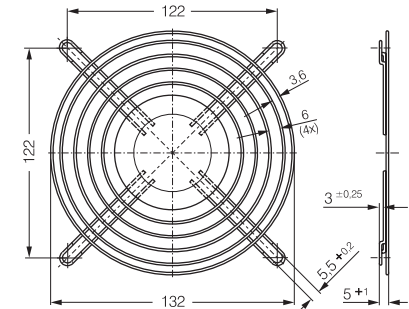
**LZ30-4** Fan size 119 x 119



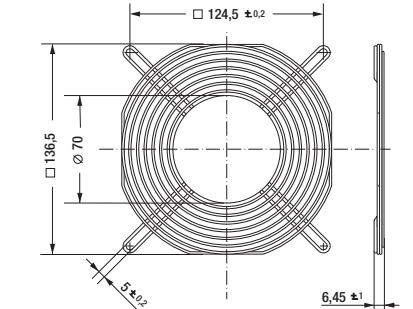
**LZ35** Fan size 127 x 127



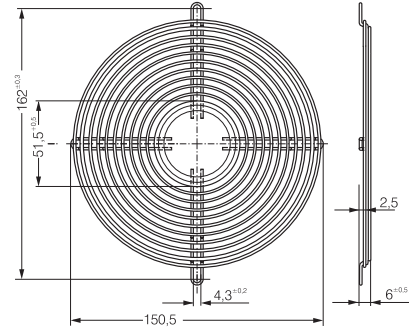
**LZ25** Fan size 135 x 135



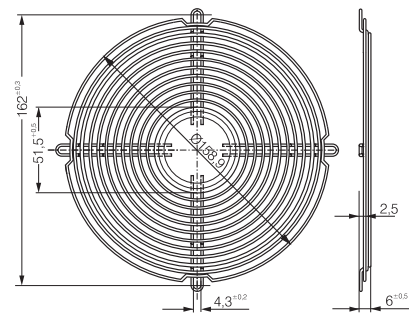
**LZ53** Fan size 140 x 140



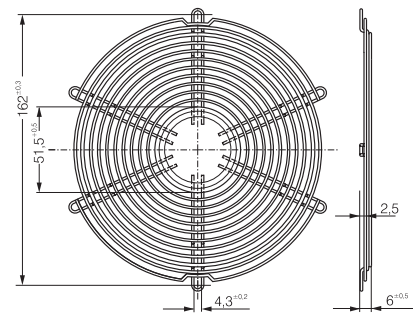
**LZ36** Fan size 150 x 172



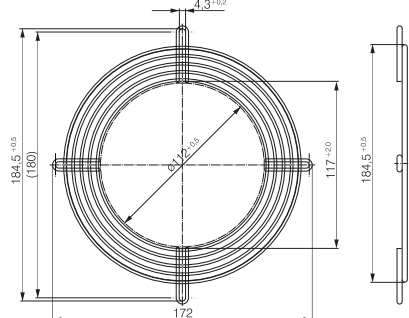
**LZ37** Fan size 172 x 51



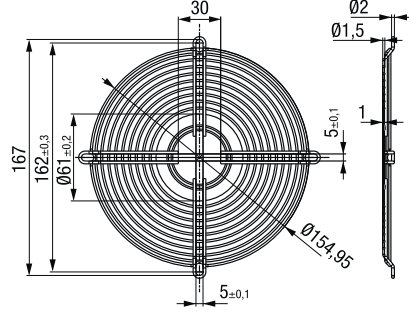
**LZ38** Fan size 172 x 51



**LZ39** Fan size 172 x 51



**LZ52** Fan size 172 x 51



**LZ22** Fan size 200 x 51

